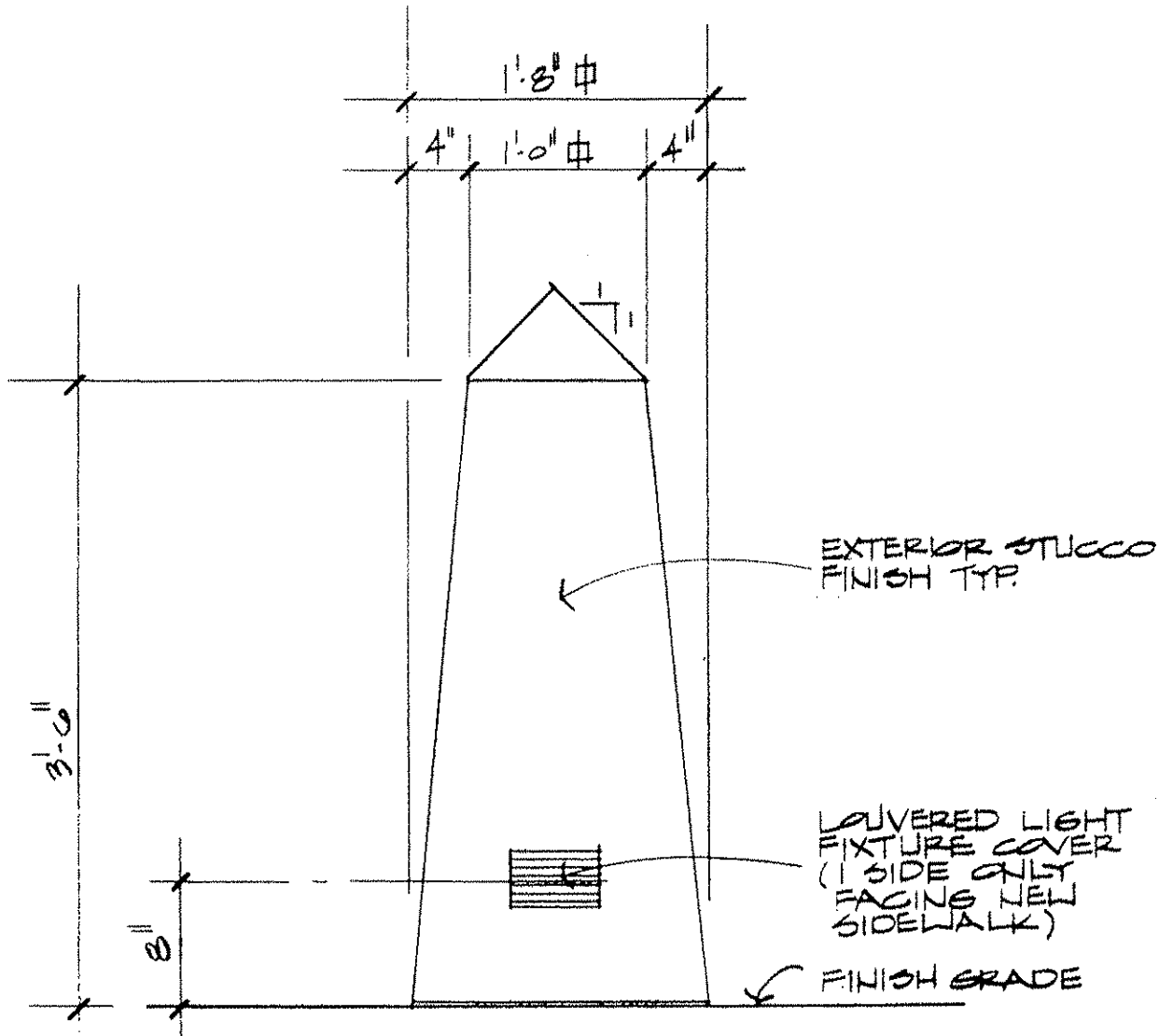



LOWER LEVEL
 1/8" = 1'-0"

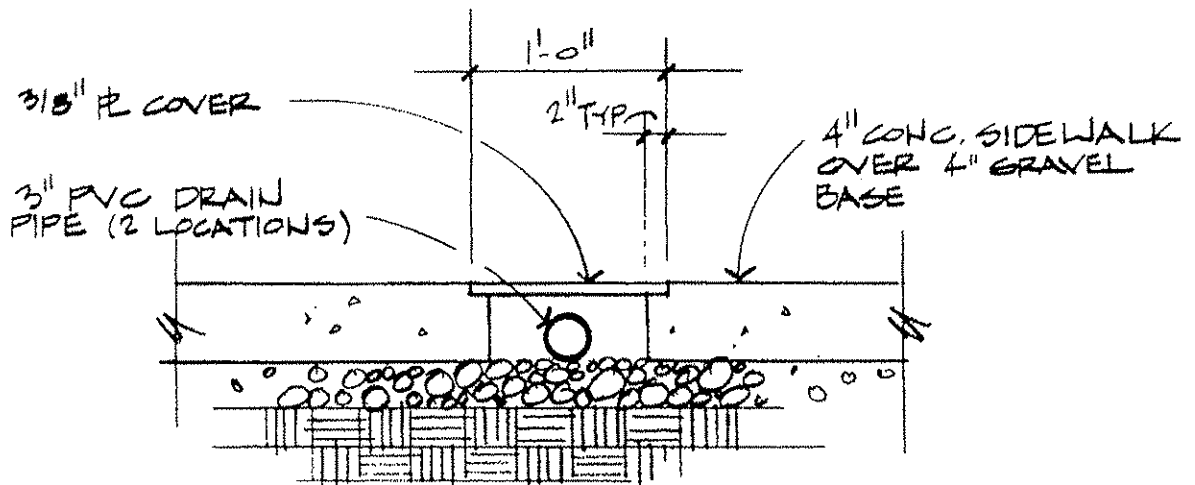
GARFIELD ADULT LITERACY

413 9TH ST 930010




ELEVATION OF ENTRY BOLLARD
 1" = 1'-0"

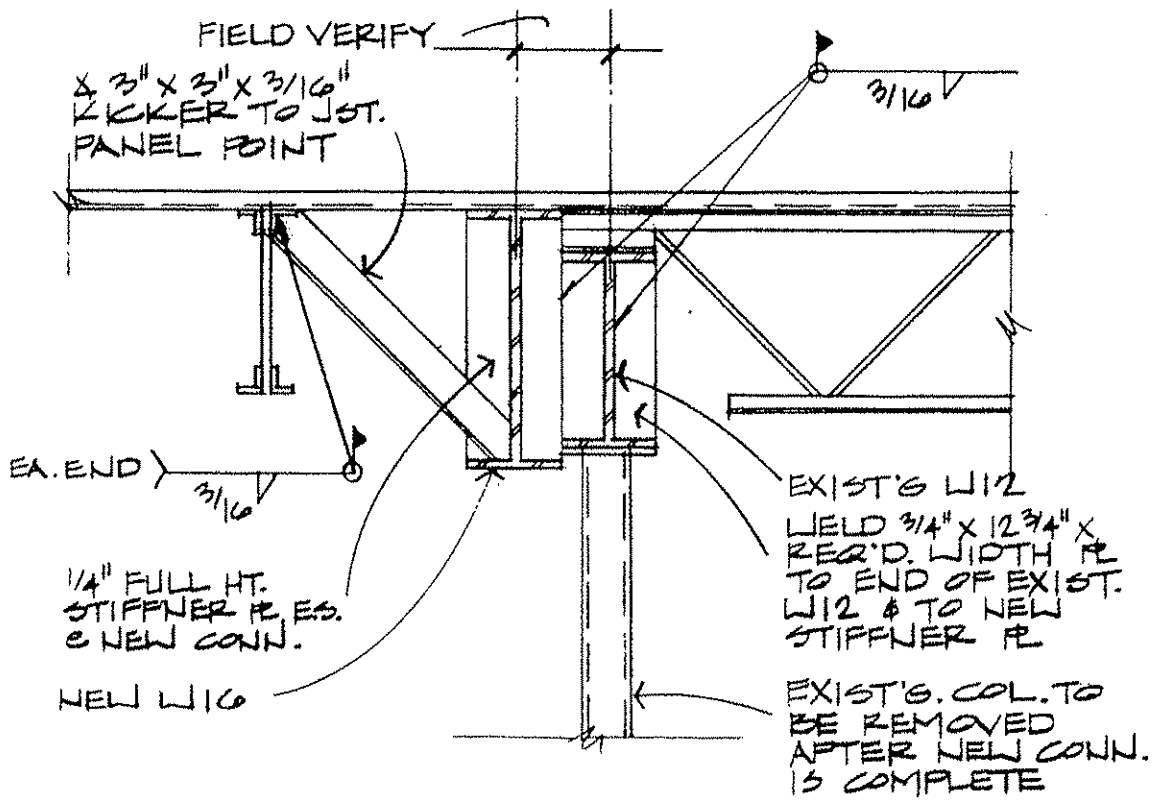
PROJECT TITLE: GLENWOOD SPRINGS BRANCH LIBRARY	SCALE: AS SHOWN	DATE: 6/21/90
 GIBSON & RENO • ARCHITECTS 418 E. COOPER AVENUE • ARDEN COLORADO 81011	DWN BY: JAT PROJECT NO. 8927	DRAWING NO. ITEM #13




SCUPPER DRAIN PIPE & SIDEWALK

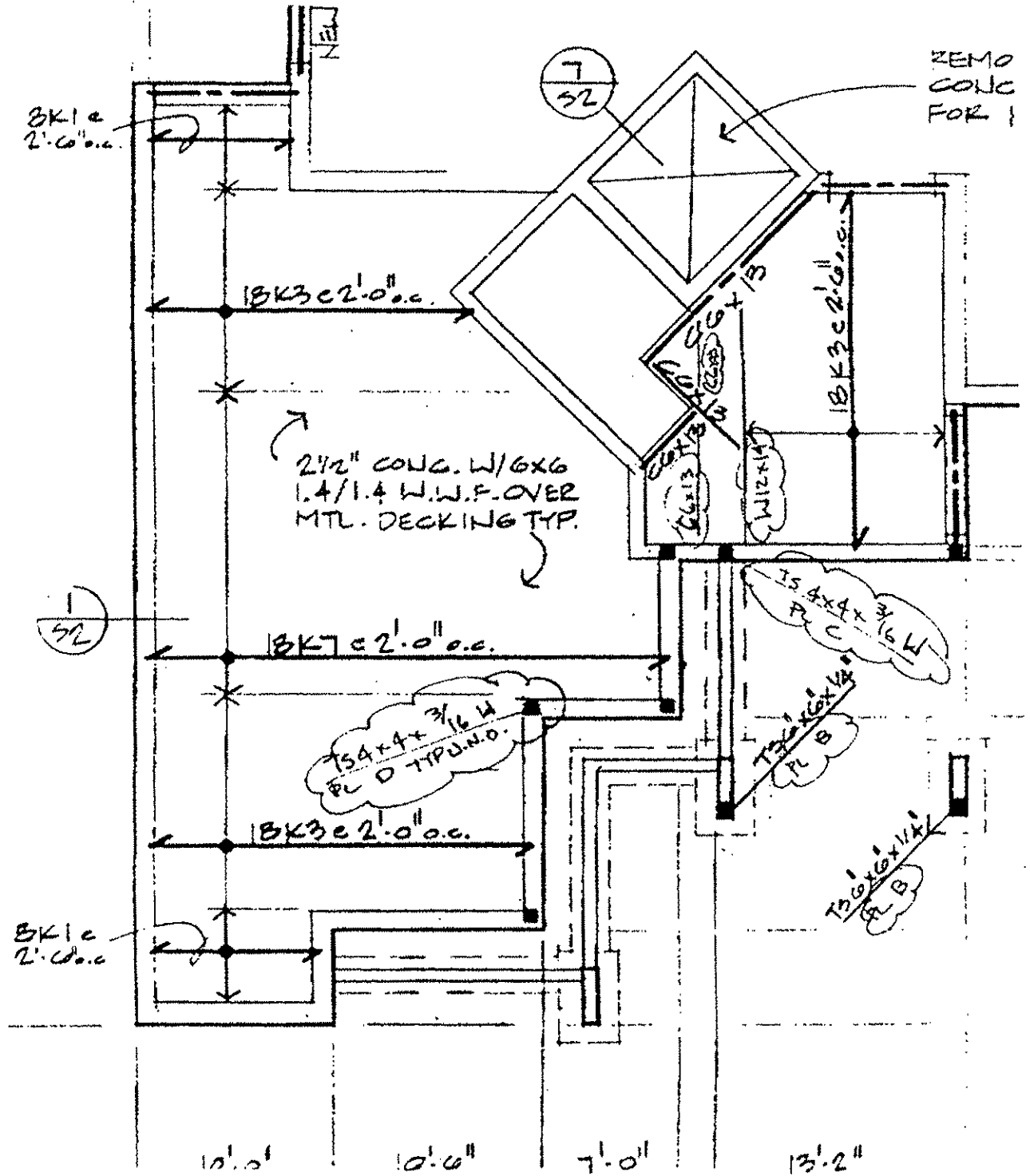
1" = 1'-0"


PROJECT TITLE: GLENWOOD SPRINGS BRANCH LIBRARY	SCALE: AS SHOWN	DATE: 6/21/90
 GIBSON & RENO • ARCHITECTS 418 E. COOPER AVENUE • ASPEN, COLORADO 81611	DRAWN BY: JAT PROJECT NO. 8927	DRAWING NO. ITEM #11

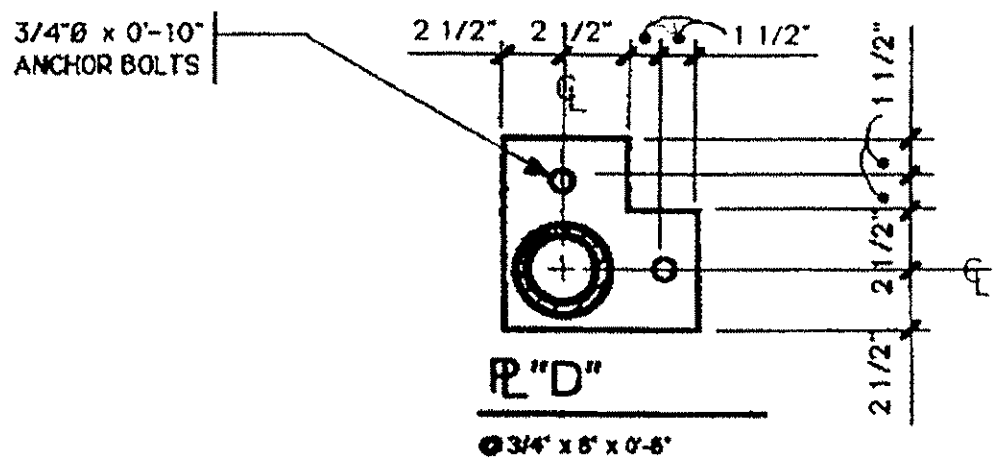
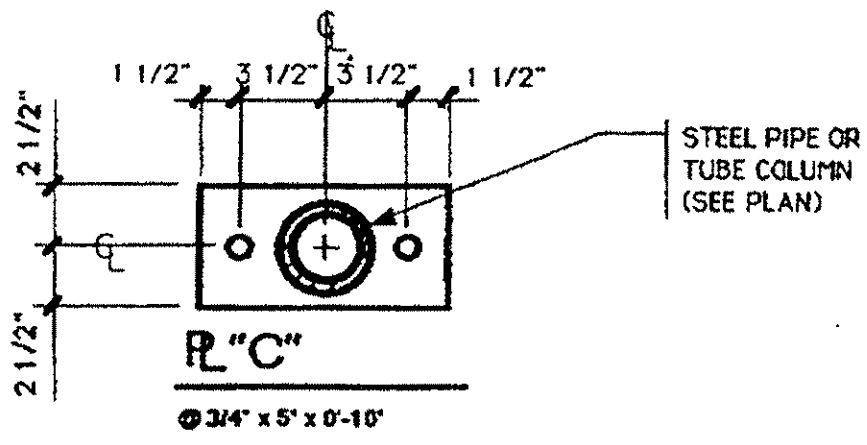
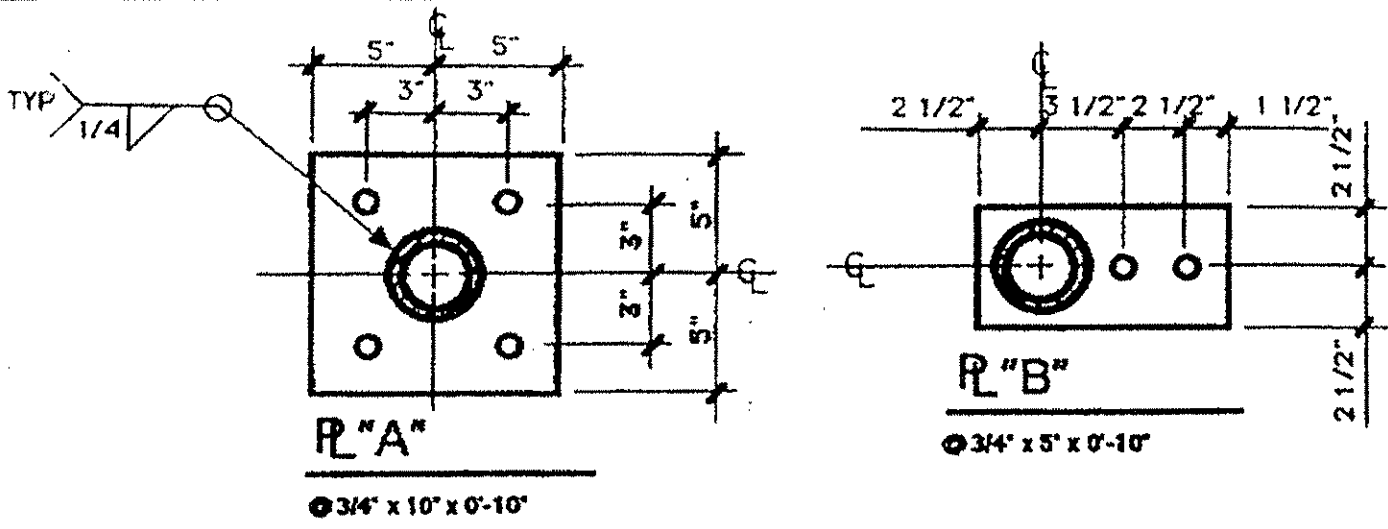


BEAM TO BEAM CONNECTION
1" = 1'-0"


PROJECT TITLE: GLENWOOD SPRINGS BRANCH LIBRARY	SCALE: AS SHOWN	DATE: 6/21/90
 GIBSON & RENO • ARCHITECTS 418 E. COOPER AVENUE • ASPEN, COLORADO 81611	DWN BY: JAT PROJECT NO. 8927	DRAWING NO. ITEM #26

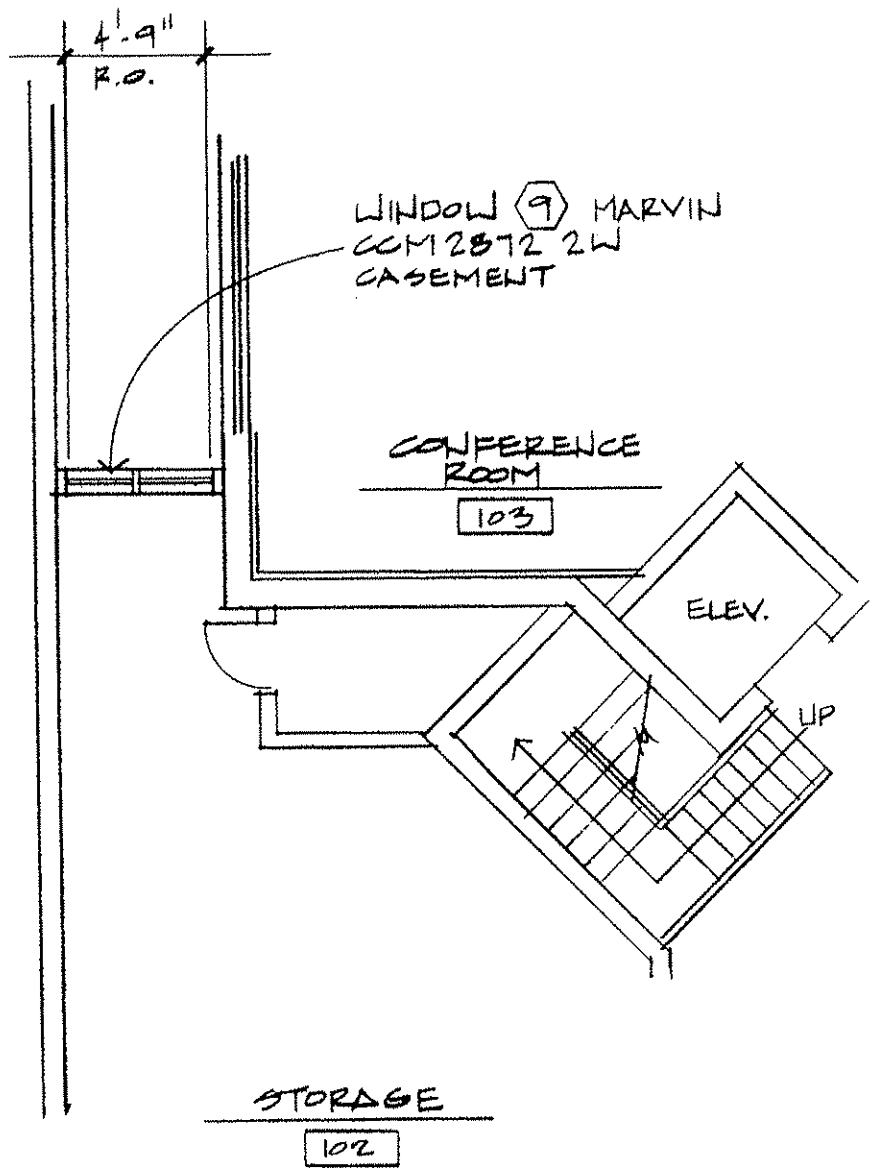


PROJECT TITLE: GLENWOOD SPRINGS BRANCH LIBRARY	SCALE: AS SHOWN	DATE: 6/21/90
	DWN BY: JAT	DRAWING NO. ITEM #24
 GIBSON & RENO • ARCHITECTS 418 E. COOPER AVENUE • ASPEN, COLORADO 81611	PROJECT NO. 8927	



BASE PLATE DETAILS
 @ 1 1/2" = 1'-0" 801

PROJECT TITLE: GLENWOOD SPRINGS BRANCH LIBRARY	SCALE: AS SHOWN	DATE: 6/21/90
 GIBSON & RENO • ARCHITECTS 418 E. COOPER AVENUE • ASPEN, COLORADO 81611	DWN BY: JAT PROJECT NO: B-127	DRAWING NO. ITEM # 24



ADD OPERABLE WINDOW e 9

1/8" = 1'-0"

PROJECT TITLE:
GLENWOOD SPRINGS BRANCH LIBRARY

SCALE
AS SHOWN

DATE:
6/21/90

DWN BY:

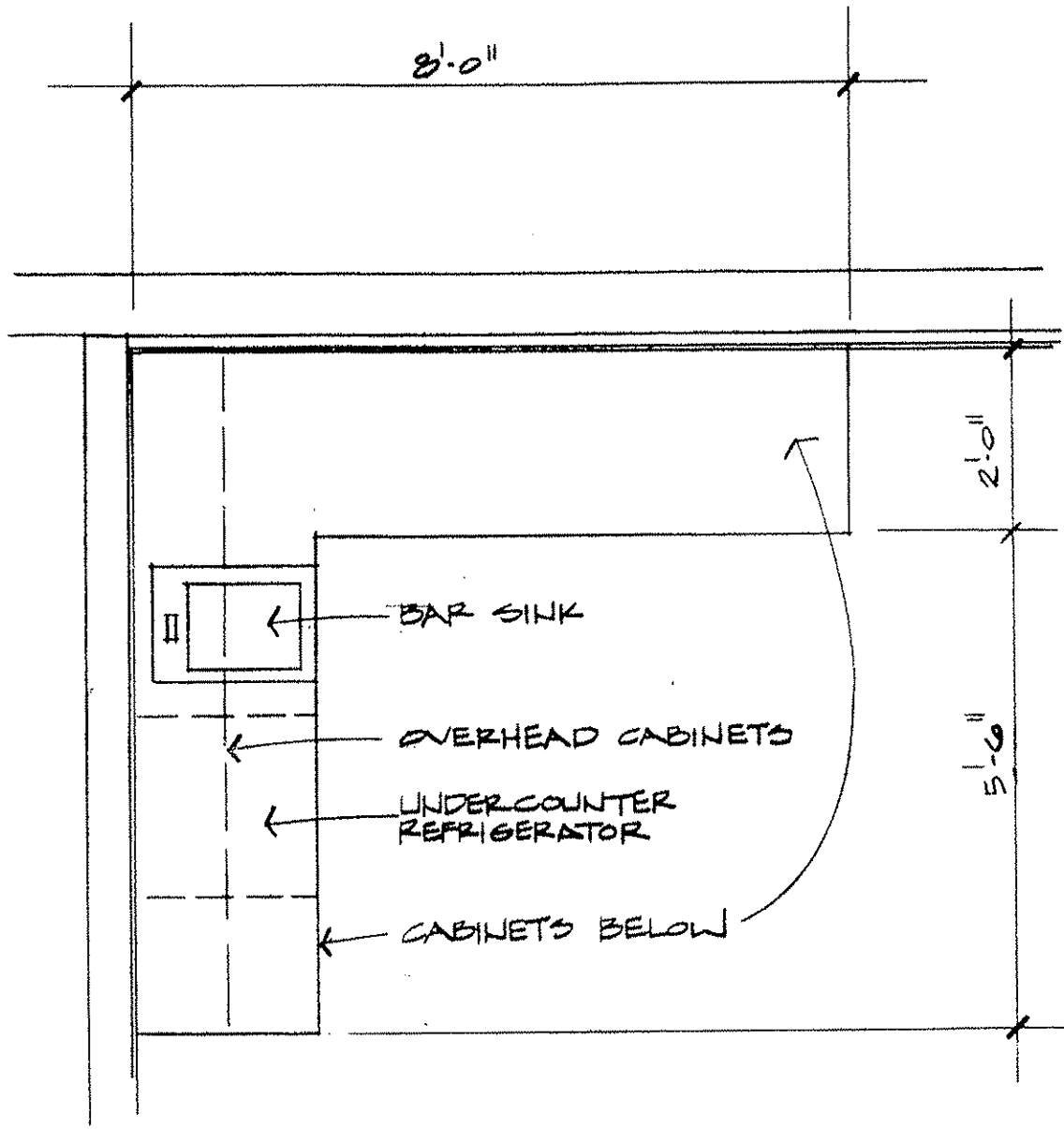
DRAWING NO.

JST
PROJECT NO.
8727

ITEM #21




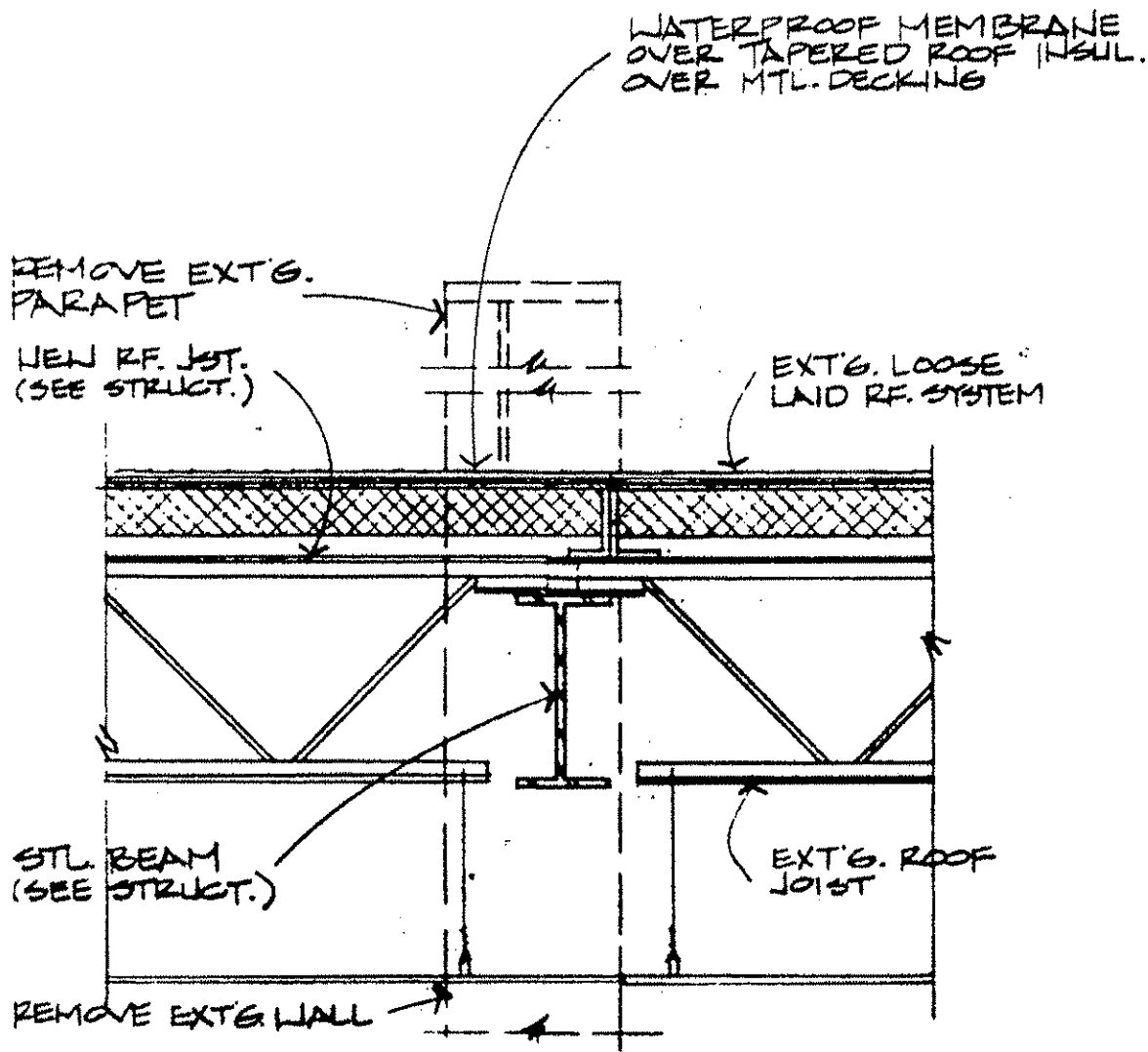
GIBSON & RENO • ARCHITECTS
418 E. COOPER AVENUE • ASPEN, COLORADO 81611




STAFF RM. KITCHENETTE PLAN

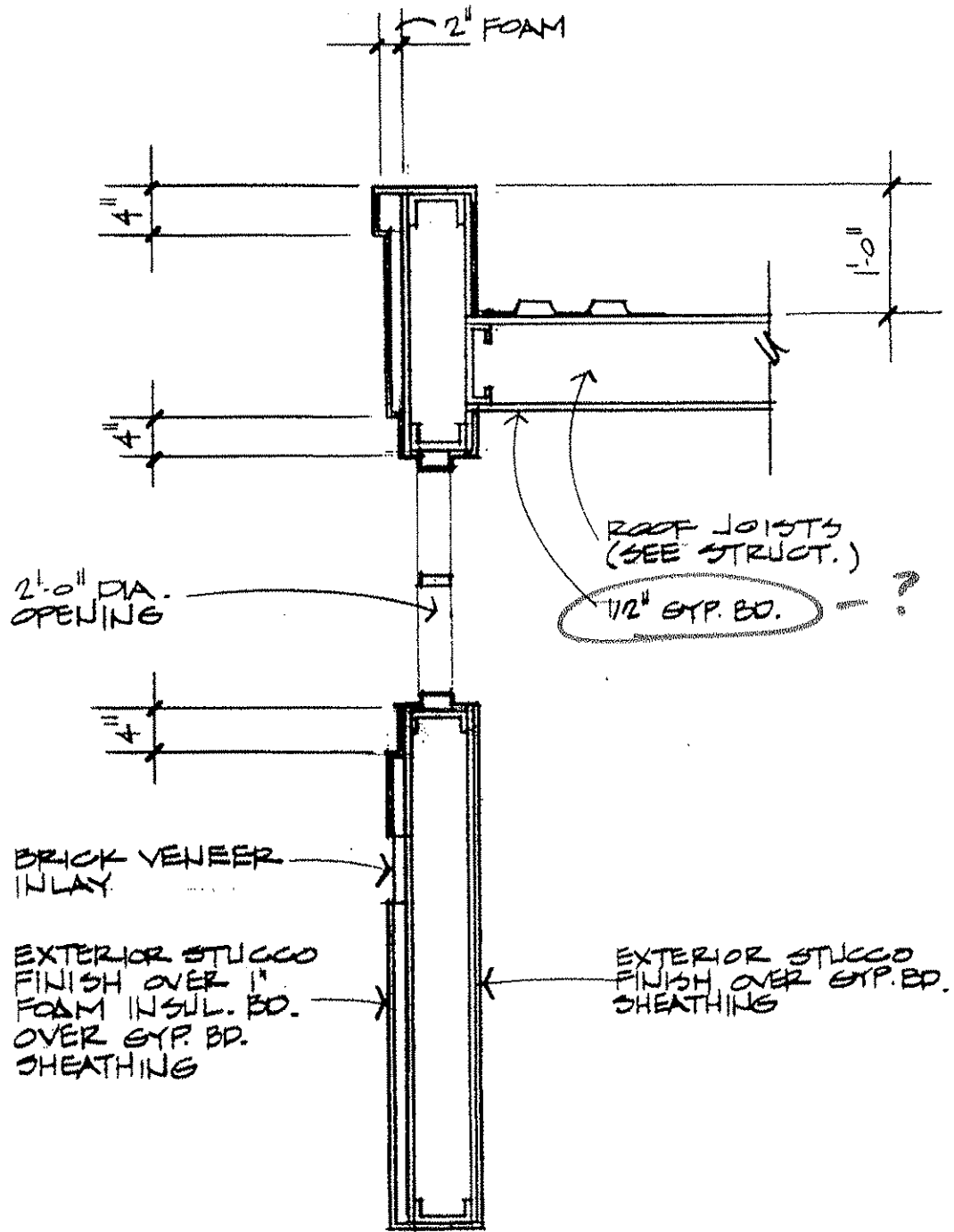
1/2" = 1'-0"

PROJECT TITLE: GLENWOOD SPRINGS BRANCH LIBRARY	SCALE AS SHOWN	DATE: 6/21/90
 GIBSON & RENO • ARCHITECTS. 418 E. COOPER AVENUE • ASPEN, COLORADO 81611	DWN. BY: JAT PROJECT NO. 8927	DRAWING NO. ITEM # 19




DTL. NEW RF. TO EXT'G. ROOF
1"=1'-0"

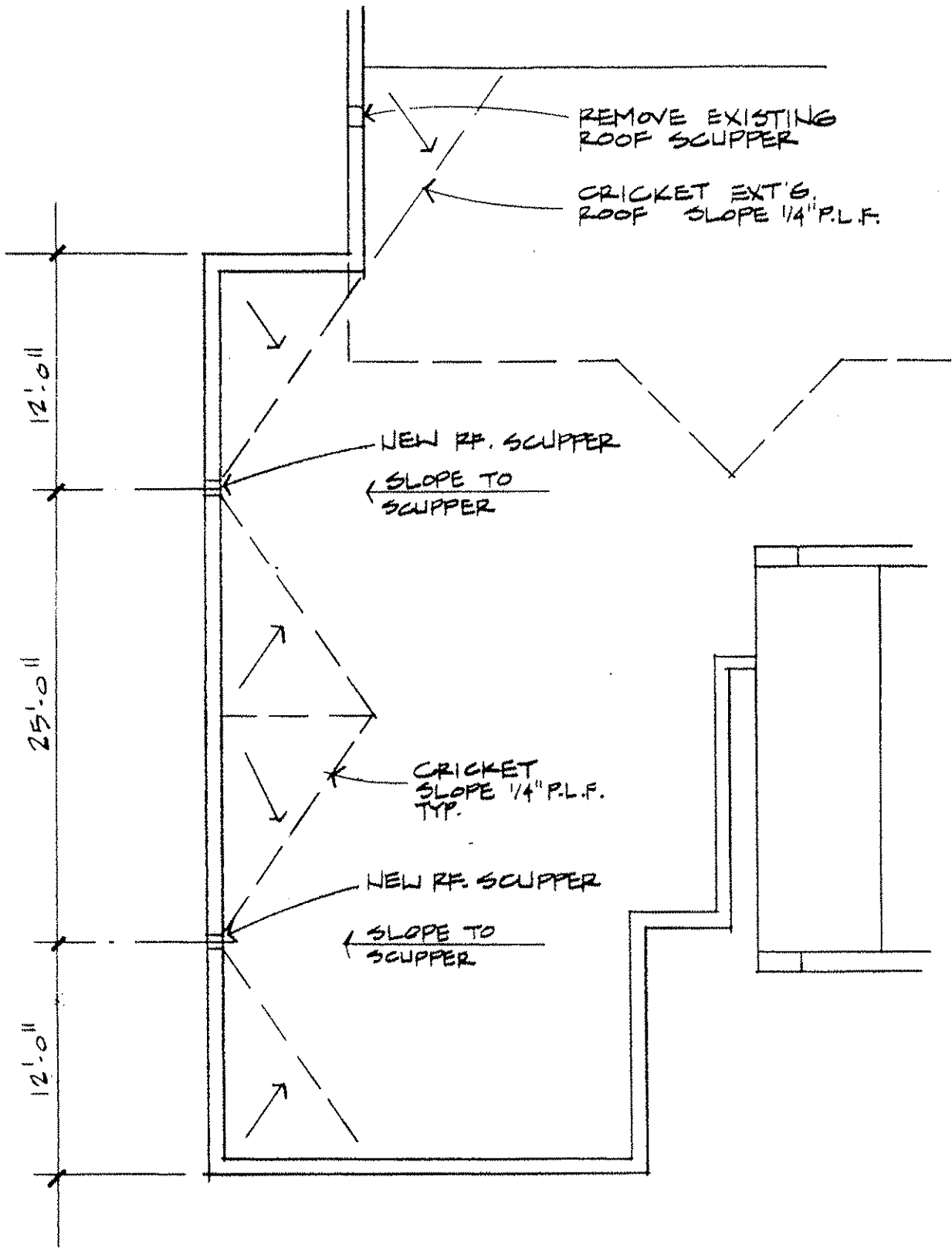
PROJECT TITLE: GLENWOOD SPRINGS BRANCH LIBRARY	SCALE: AS SHOWN	DATE: 6/2/90
	DWN BY: JST	DRAWING NO.: ITEM # 18
 GIBSON & RENO • ARCHITECTS 418 E. COOPER AVENUE • ASPEN, COLORADO 81611	PROJECT NO.: 8927	



DETAIL e MAIN ENTRY

3/4" = 1'-0"

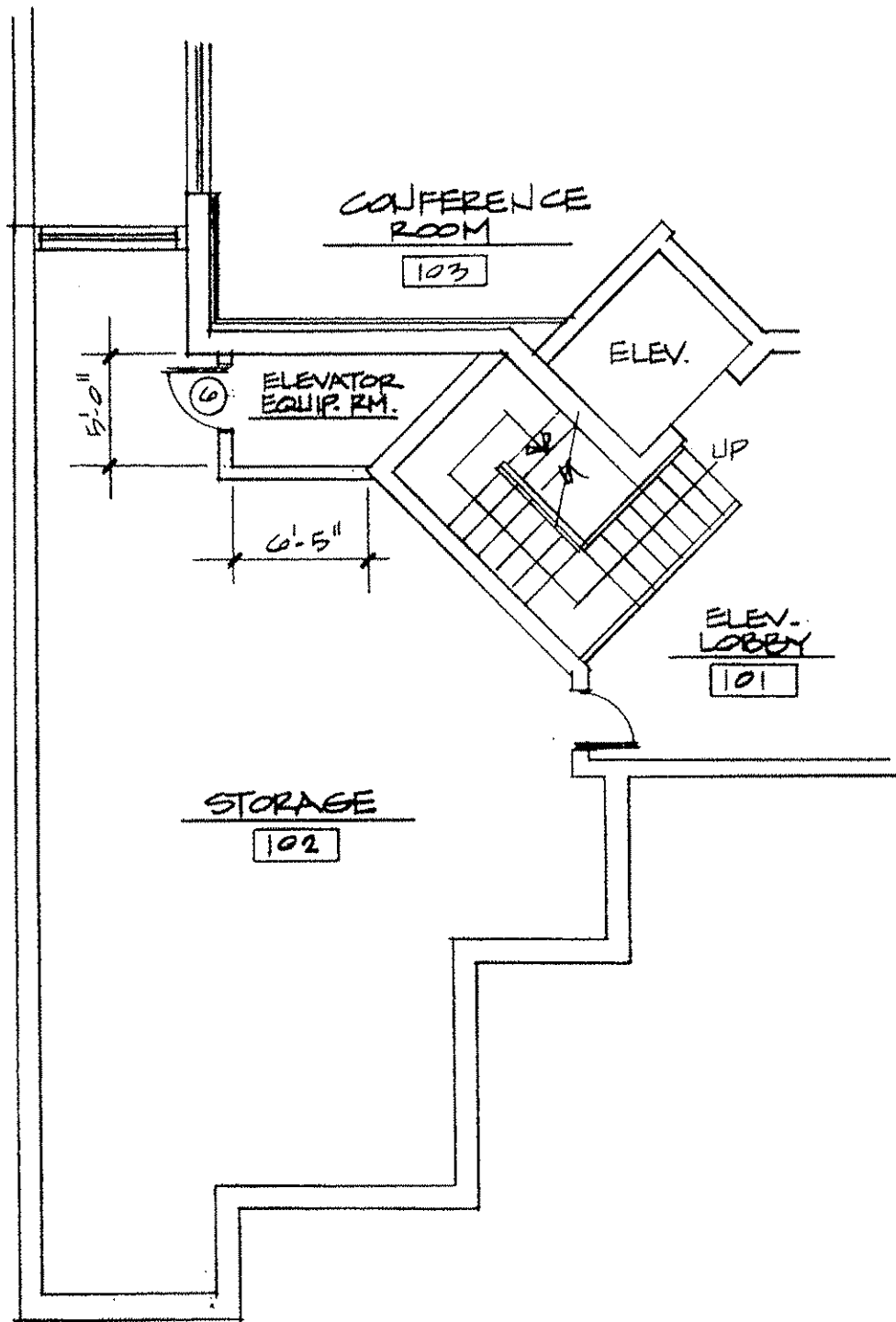
PROJECT TITLE: GLENWOOD SPRINGS BRANCH LIBRARY	SCALE AS SHOWN	DATE: 6/21/90
	DWN BY: JAT	DRAWING NO. ITEM # 17
 GIBSON & RENO • ARCHITECTS 418 E. COOPER AVENUE • ASPEN, COLORADO 81611	PROJECT NO. 8927	




NEW SCUPPERS - ROOF PLAN

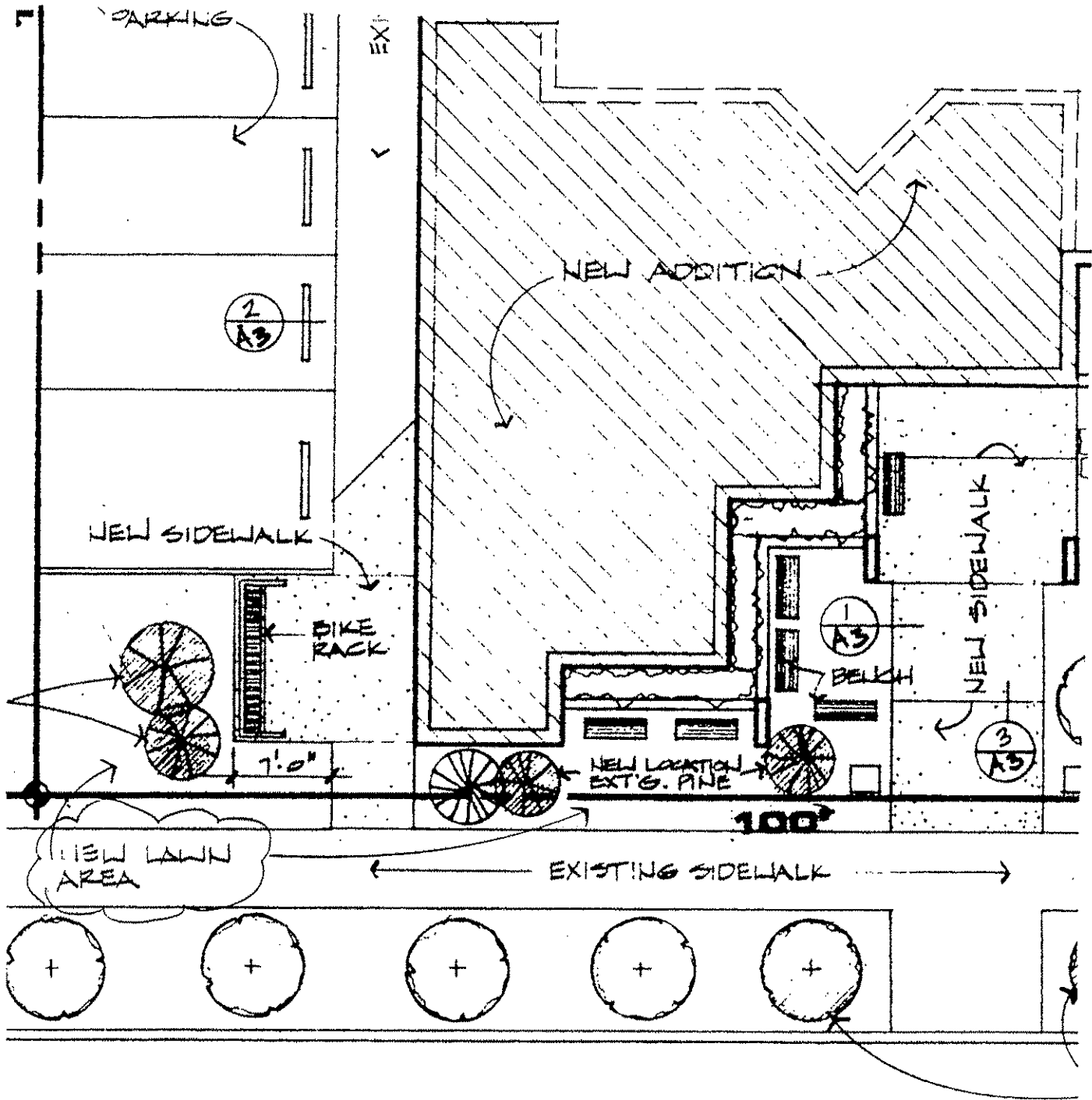
1/8" = 1'-0"

PROJECT TITLE: GLENWOOD SPRINGS BRANCH LIBRARY	SCALE AS SHOWN	DATE: 6/21/90
GIBSON & RENO • ARCHITECTS 418 E. COOPER AVENUE • ASPEN, COLORADO 81611	DWN. BY: JAT PROJECT NO. 8927	DRAWING NO. ITEM #16



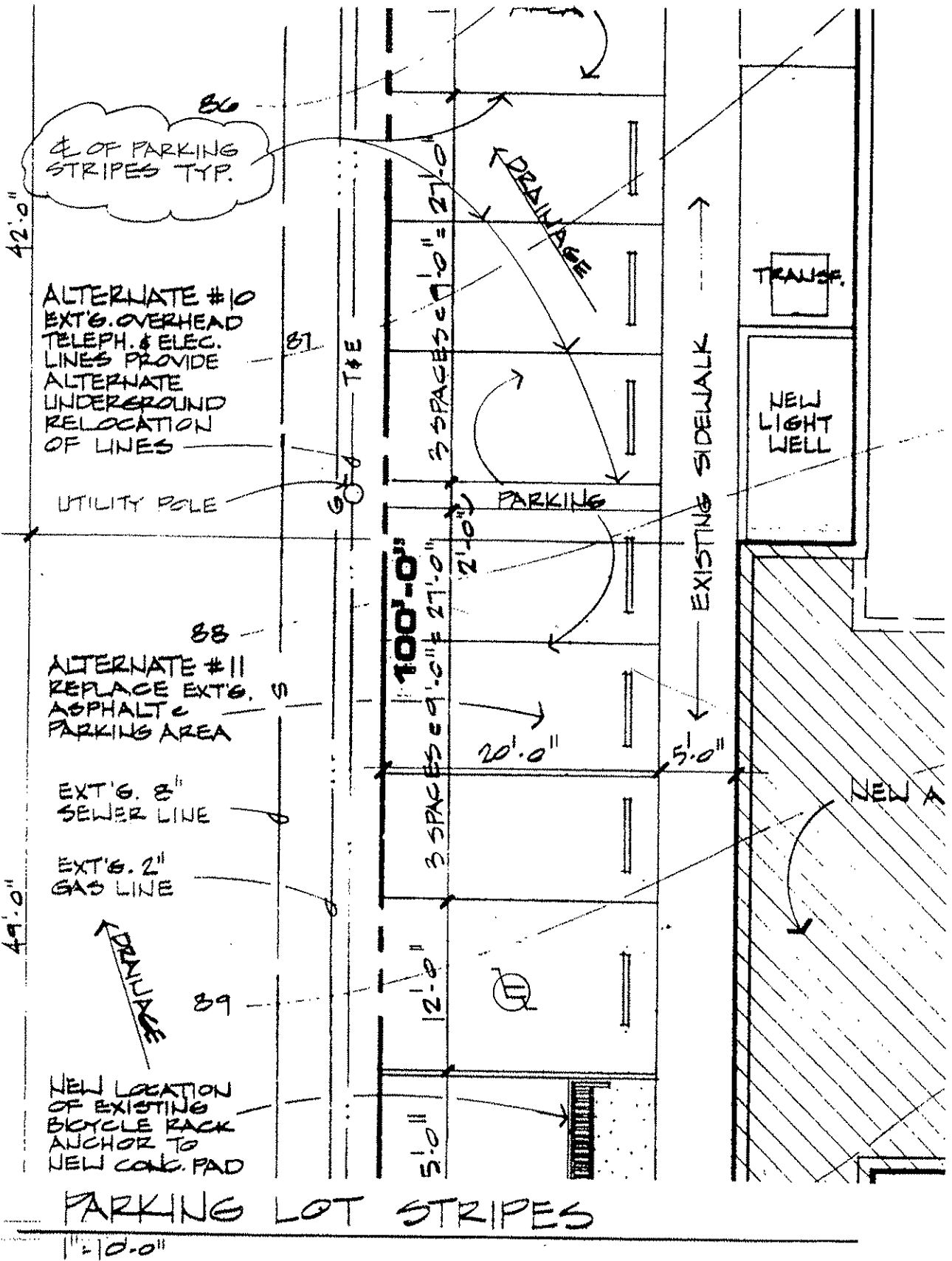
NEW ELEVATOR EQUIP. RM. @ LOWER LEVEL
 1/8" = 1'-0"

PROJECT TITLE: GLENWOOD SPRINGS BRANCH LIBRARY	SCALE AS SHOWN	DATE: 6/21/90
 GIBSON & RENO • ARCHITECTS 418 E. COOPER AVENUE • ASPEN, COLORADO 81611	OWN BY: JAT PROJECT NO. 8927	DRAWING NO. ITEM # 15



CLARIFICATION OF GROUND COVERING
 1" = 1'-0"

PROJECT TITLE: GLENWOOD SPRINGS BRANCH LIBRARY	SCALE: AS SHOWN	DATE: 6/21/90
 GIBSON & RENO • ARCHITECTS 418 E. COOPER AVENUE • ASPEN, COLORADO 81911	DRAWN BY: JAT PROJECT NO. 8927	DRAWING NO. ITEM # 14



PROJECT TITLE:
GLENWOOD SPRINGS BRANCH LIBRARY

SCALE
AS SHOWN

DRAWN BY:
JAT

PROJECT NO.
8927

DATE:
6/21/90

DRAWING NO.
ITEM #12