



ISSUE RECORD

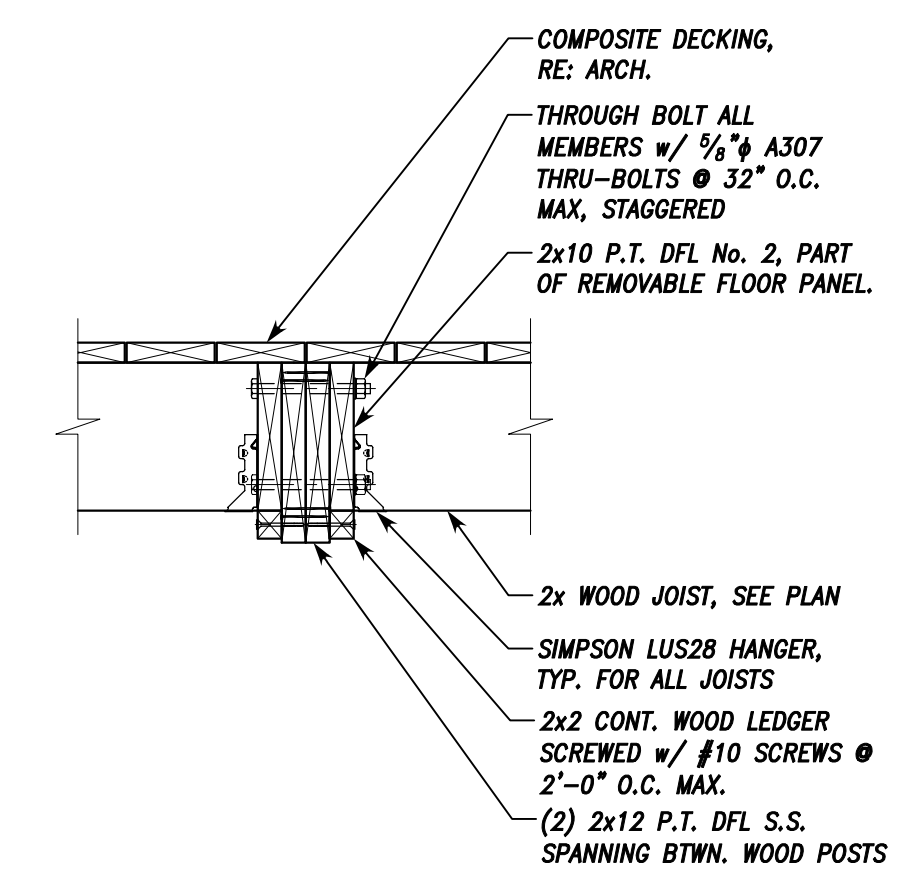
1	08.17.09	100% CD'S

PROJ. NO.: 80058
 DRAWN: DPD
 REVIEWED BY: _____
 PLOT DATE: 08.17.09

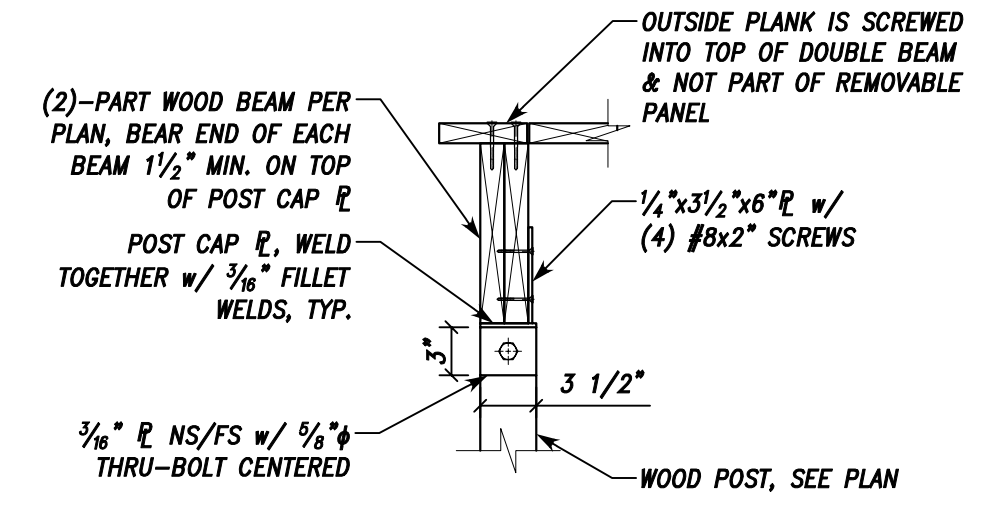
DETAILS

SHEET NUMBER
S-4

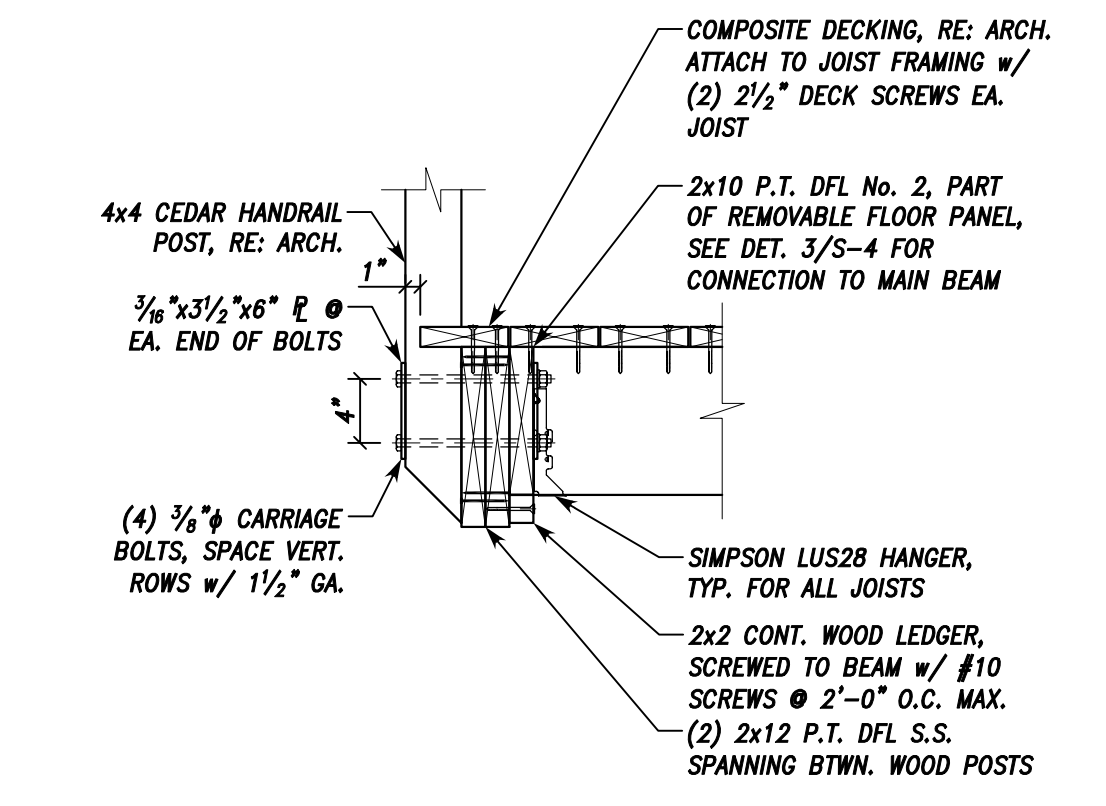
FILE INFO:
 Copyright © 2009
 K&A, Inc.



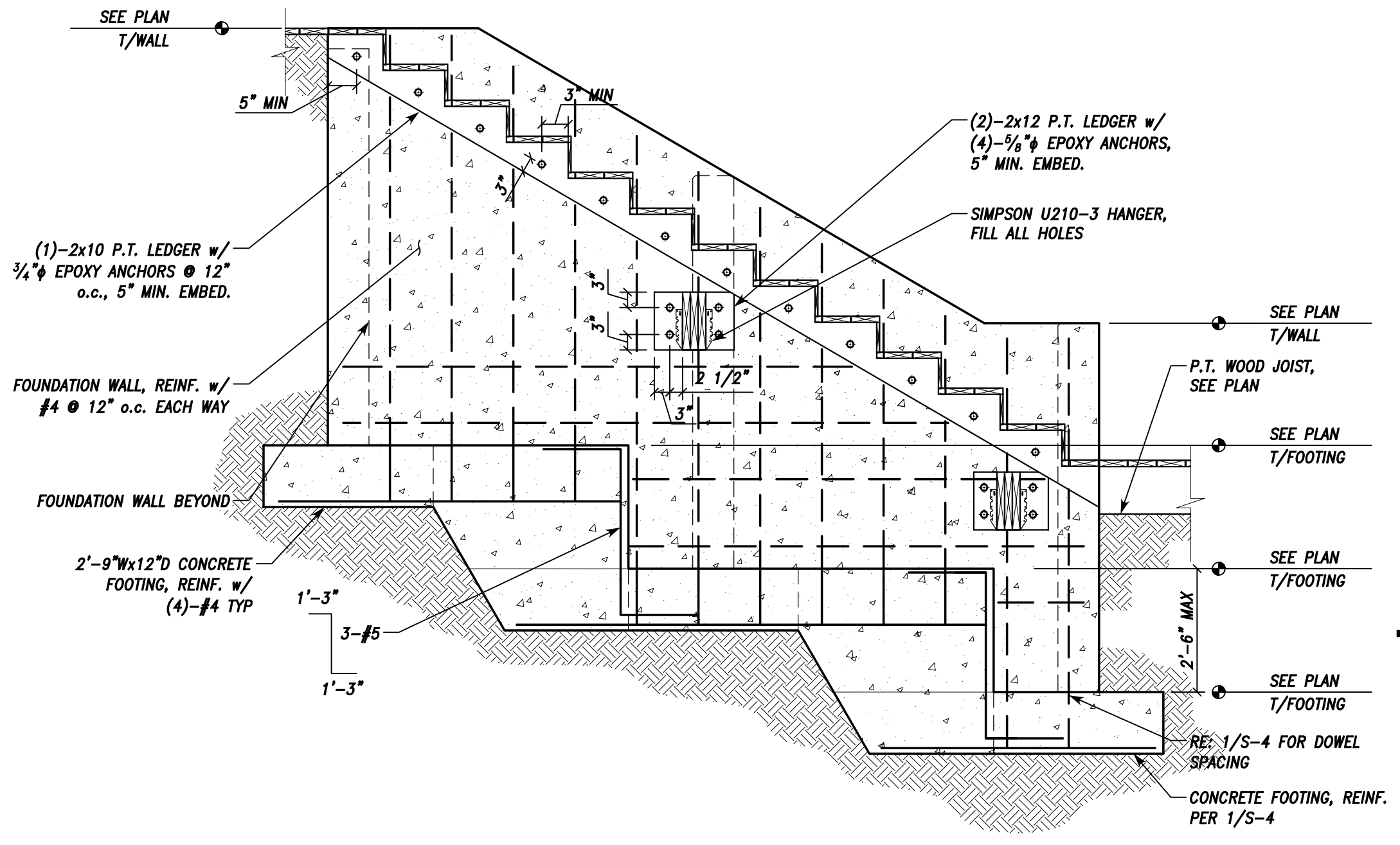
3 FRAMING DETAIL
 SCALE: 1" = 1'-0"
 00584002



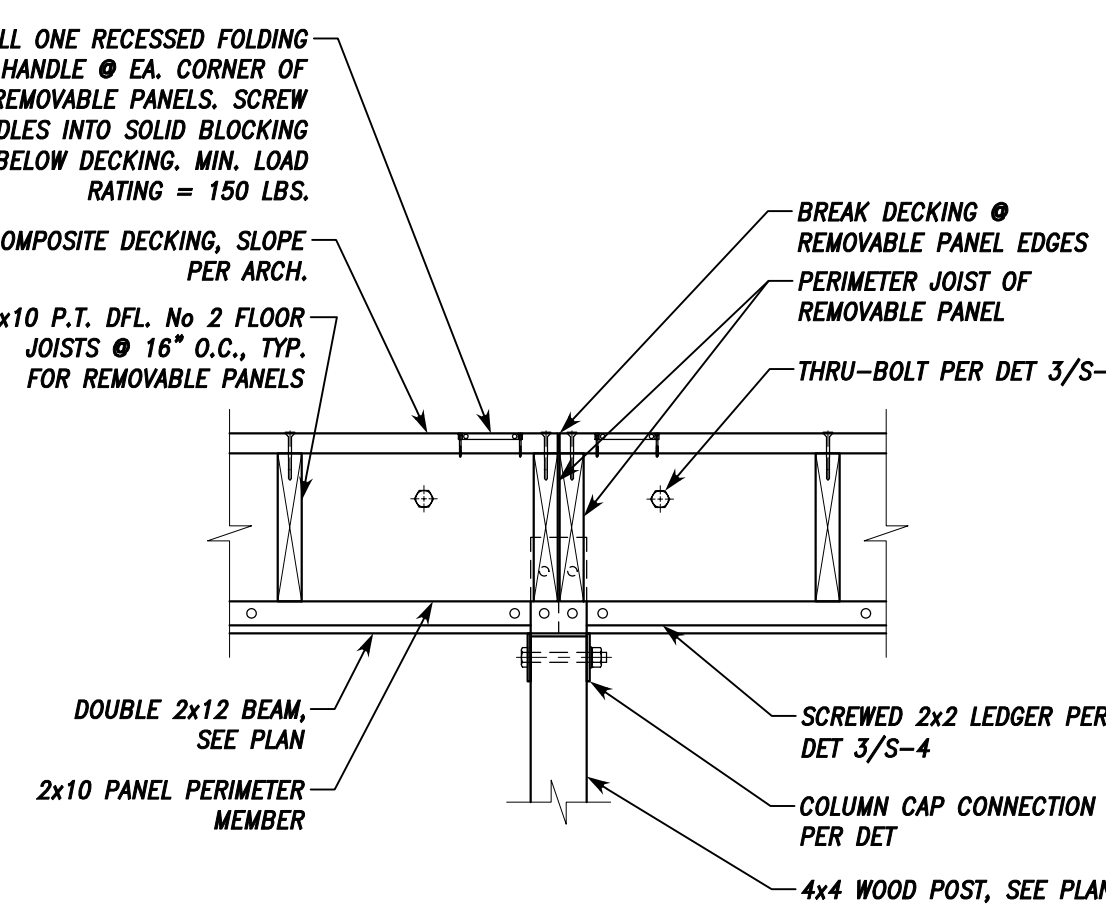
6 FRAMING DETAIL
 SCALE: 1" = 1'-0"
 00584005



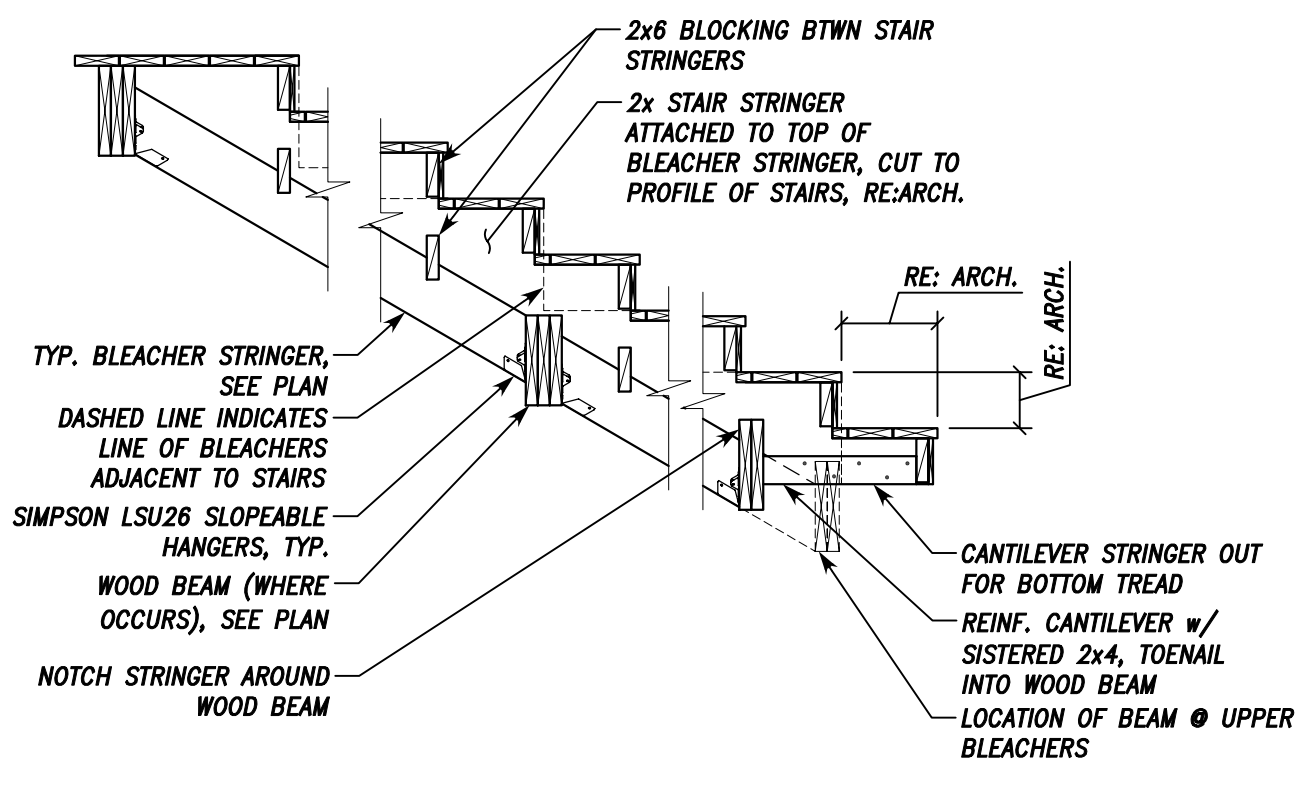
5 FRAMING DETAIL
 SCALE: 1" = 1'-0"
 00584005



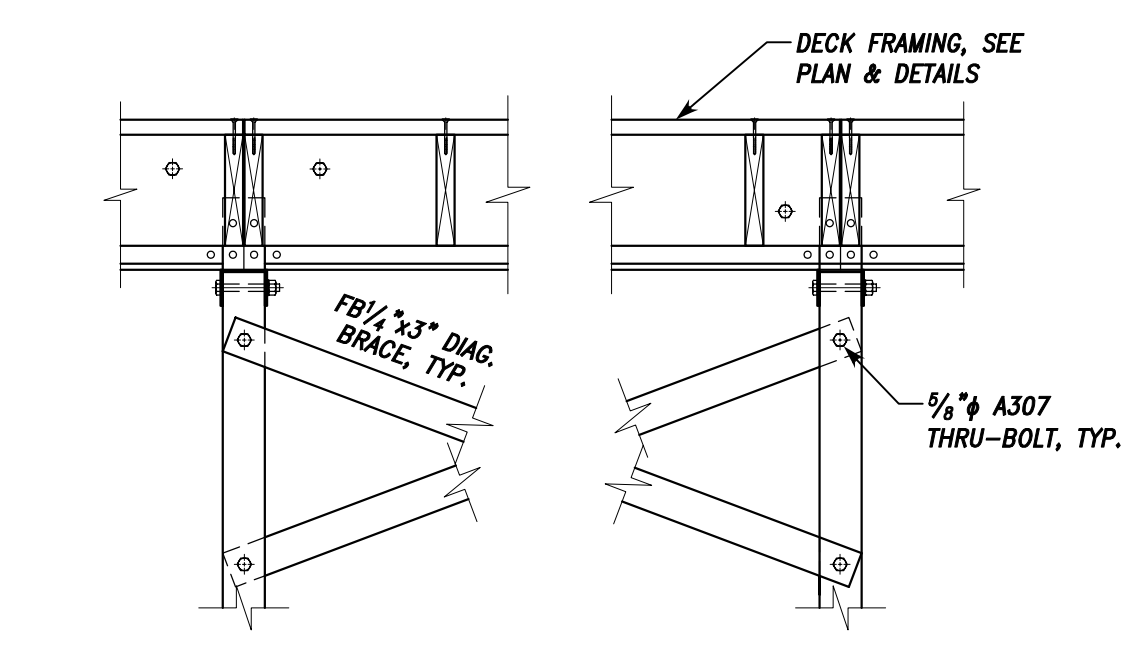
2 CONC. WALL ELEVATION
 SCALE: 1/2" = 1'-0"
 00584004



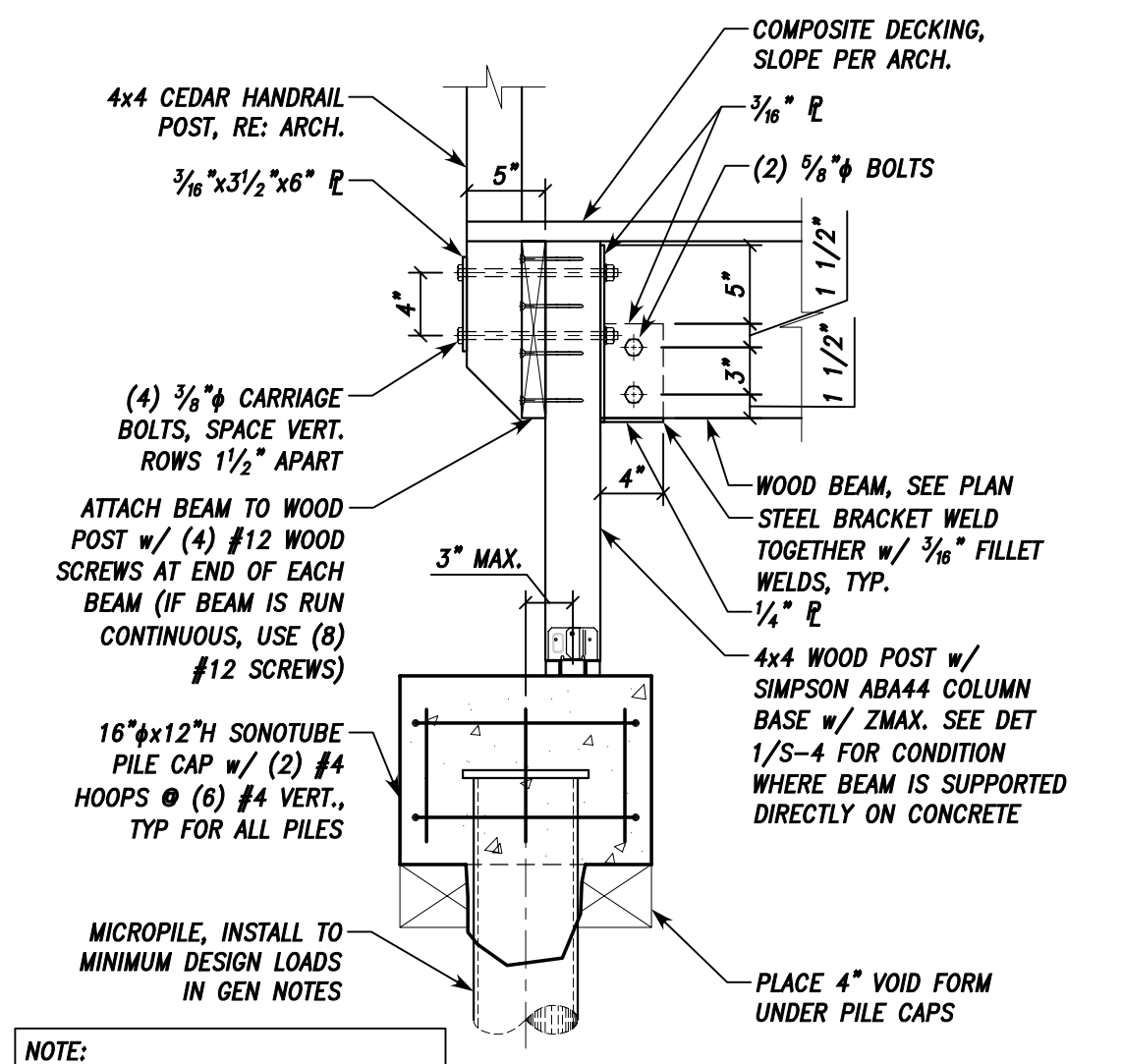
4 FRAMING DETAIL
 SCALE: 1" = 1'-0"
 00584002



9 TYPICAL STAIR FRAMING
 SCALE: 1/2" = 1'-0"
 00584006

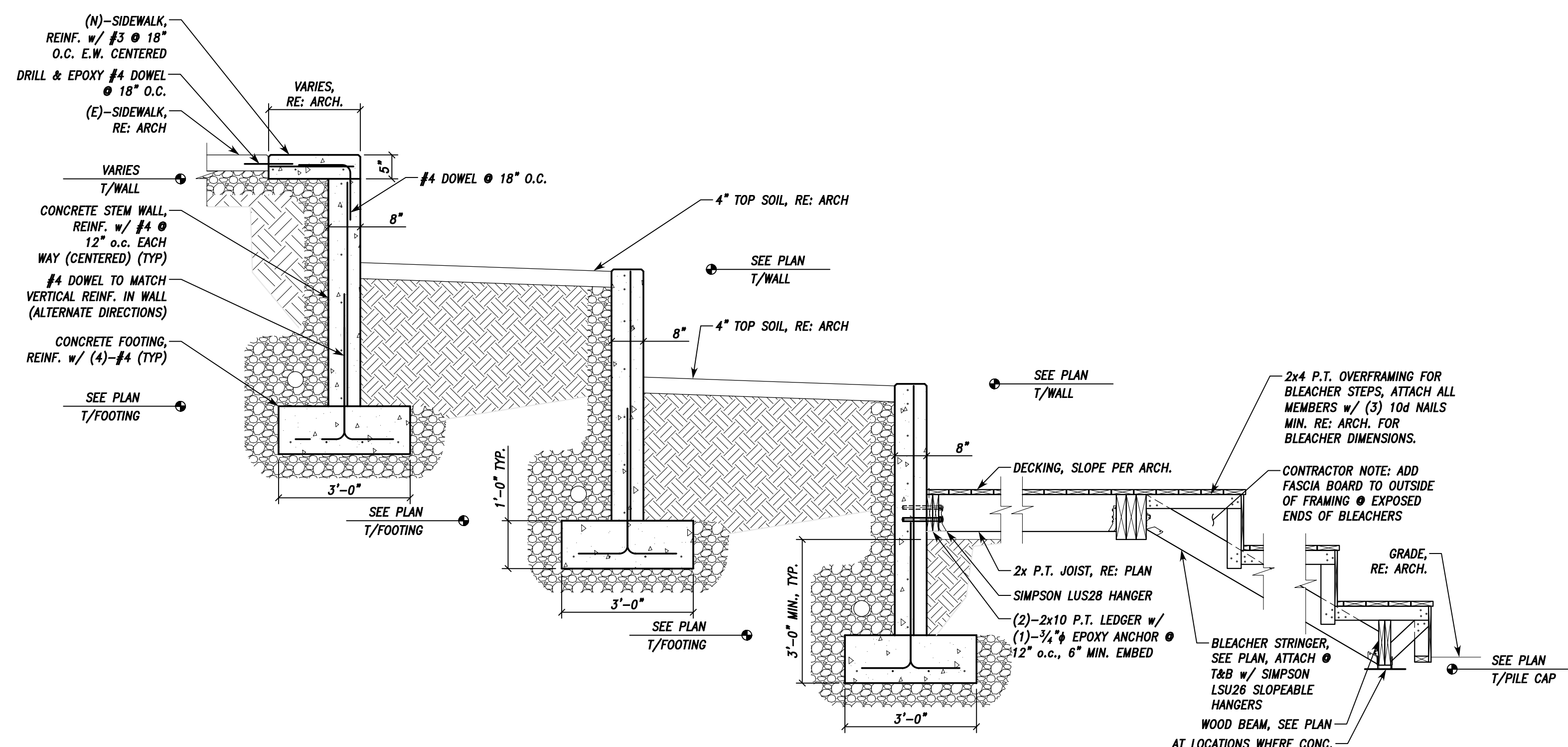


8 LATERAL BRACE DETAIL
 SCALE: 3/4" = 1'-0"
 00584007



NOTE: ALL MICROPILES MUST PENETRATE TO SCOURING DEPTH OF ELEV. = 5686' PER HYDRAULIC ENGINEER

7 FRAMING DETAIL
 SCALE: 1" = 1'-0"
 00584005



1 SECTION DETAIL
 SCALE: 1/2" = 1'-0"
 00584003

THE STRUCTURAL ENGINEER'S SEAL ON THIS DRAWING INDICATES THAT THE INFORMATION SHOWN AND THE CALCULATIONS PERTAINING TO THAT INFORMATION HAVE BEEN PREPARED BY QUALIFIED PEOPLE UNDER THE DIRECTION OF THE ENGINEER-OF-RECORD. THE SEAL DOES NOT IMPLY RESPONSIBILITY FOR INFORMATION PREPARED BY OTHERS NOR FOR ANY INFORMATION NOT SHOWN ON THIS DRAWING AND SUCH RESPONSIBILITY IS SPECIFICALLY DISCLAIMED. ON PHASED PROJECTS, DRAWINGS THAT ARE ISSUED BUT NOT SEALED SHALL BE CONSIDERED TO BE PRELIMINARY IN NATURE AND ARE ISSUED FOR INFORMATION ONLY.

THESE DRAWINGS ARE TO BE USED IN CONJUNCTION WITH THE ARCHITECTURAL DRAWINGS ON THE PROJECT TO CLEARLY DEFINE ALL OF THE REQUIREMENTS FOR THE CONSTRUCTION. WHERE CONFLICTS OCCUR CONTACT ARCHITECT FOR CLARIFICATION.